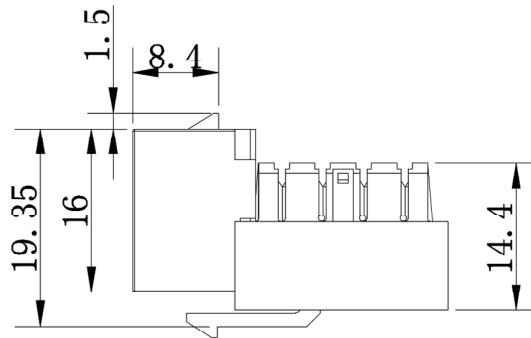
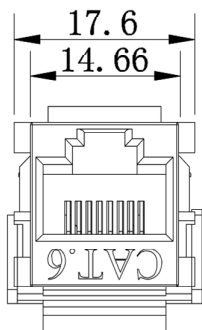
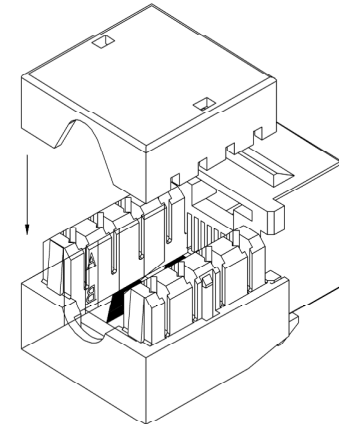
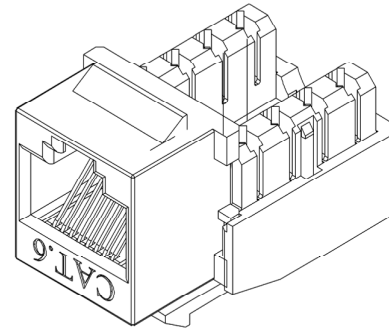
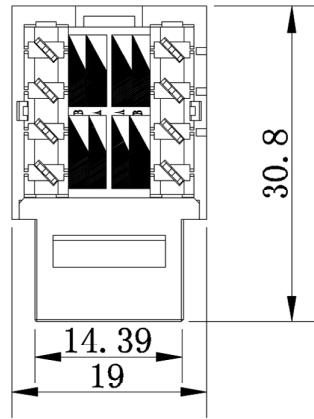


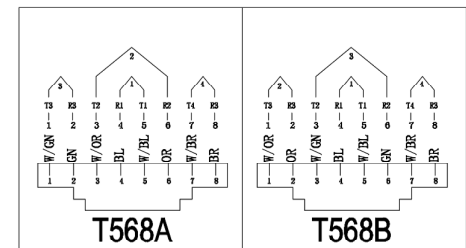
NOTE: ALL MATERIAL COMPLIANT ROHS STANDARD

REVISION INFORMATION

Rev.	Rev.Date	Modified By	Brief Description



PIN/PAIR ASSIGNMENTS



ELECTRICAL

- 1.Current rating:1.5 Amps
- 2.Insulation resistance:500 MOhm
- 3.Contact resistance:20 mOhm
- 4.DC resistance:0.1 Ohm
- 5.Dielectric withstanding voltage:1000 V

Part Number:101703BK 101703BL 101703GN 101703GY
101703RD 101703WT 101703YW

My Cable Mart

NO.	PART NAME	SPECIFICATION DESCRIPTION	QT' Y	UNIT
④	I. D. C CAP	PC UL 94V-0 white color	1	Pcs
③	P. C. B	FR4 1.6m/m thickness, 2 layers.	1	Pcs
②	IDC Housing	PC UL 94V-0 white color.	1	Pcs
①	Jack Housing	PC UL 94V-0 rated	1	Pcs

DRAWN BY	DATE: 2012/07/10	DESCRIPTION: Cat.6 RJ45 110 Type Keystone Jack
CHECKED BY	SHEET 1of1	ITEM NO. 101703
APPROVED BY	SCALE 1:1	REV. 00 UNIT: mm