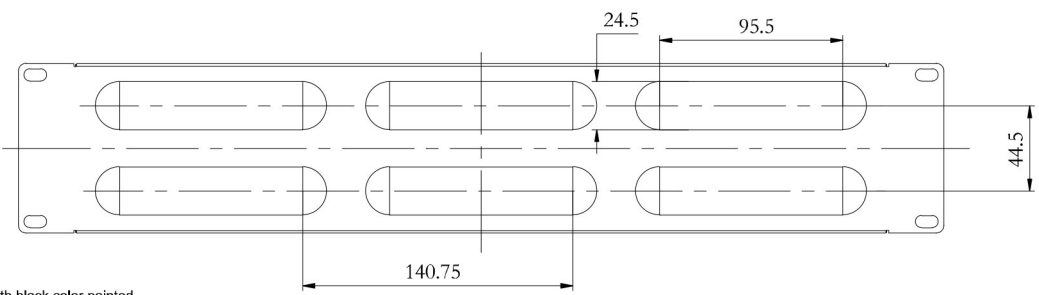
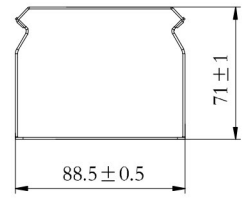
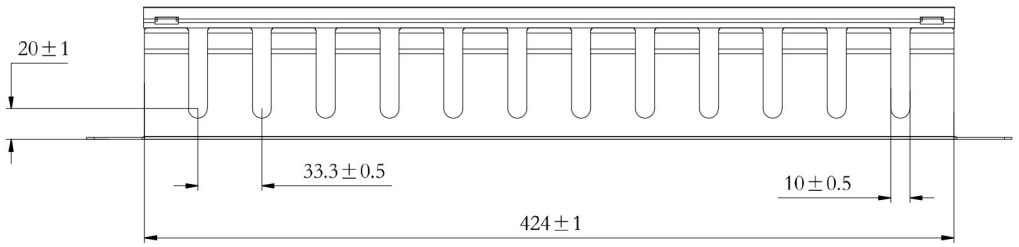
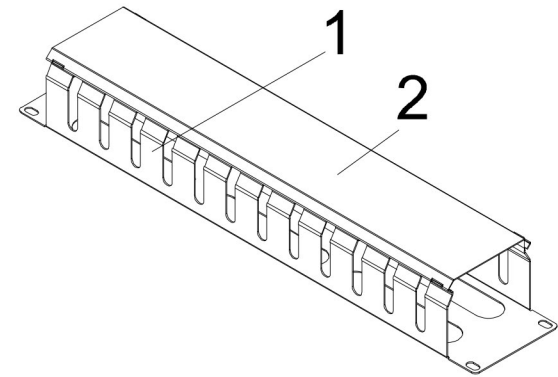
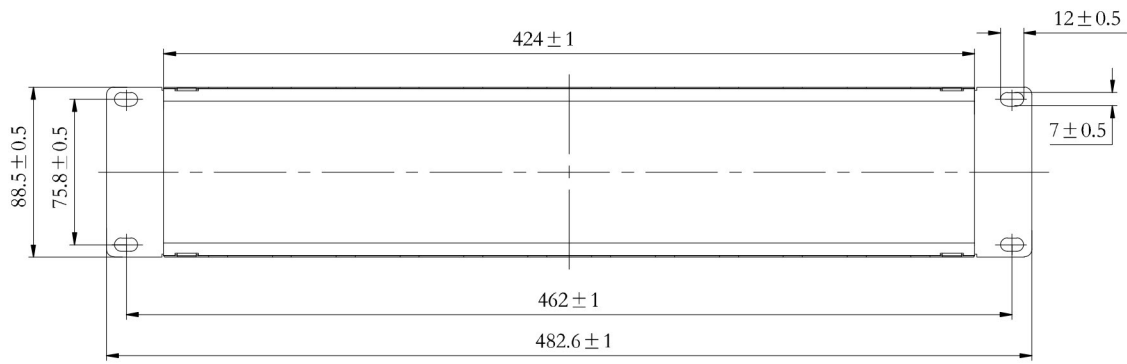


NOTE:ALL MATERIAL COMPLIANT ROHS STANDARD

REVISION INFORMATION			
Rev.	Rev. Date	Modified By	Brief Description



**M6\*16**  
screws \* 4



**M6 Nut \*4**

**Specification**  
Material :  
1. SPCC,1.2mm thickness with black color painted  
2. SPCC,1 mm thickness with black color painted

# MY CABLE MART

NO.	PART NAME	SPECIFICATION DESCRIPTION	QTY	UNIT
③				
②	M6 *16 screws		4	PCS
①	M6 nut		4	PCS

DRAWN BY	DATE: 2022/08/10	DESCRIPTION: Cable Manager Finger Duct with Cover 2U12	
CHECKED BY	SHEET 1of1	ITEM NO.	104051
APPROVED BY	SCALE 1:1	REV. 00	UNIT:mm