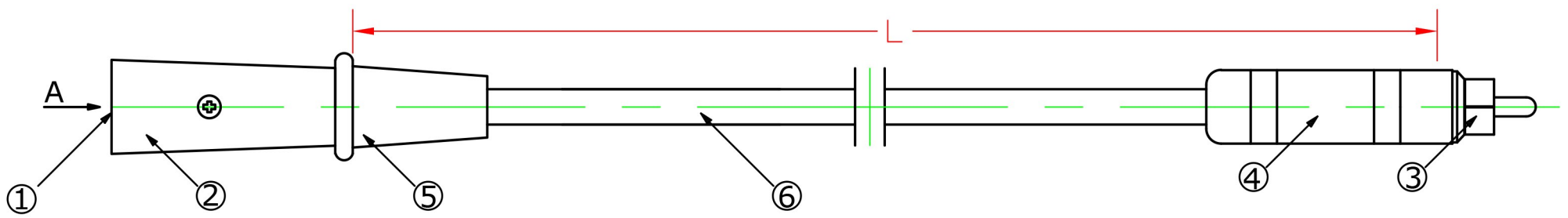
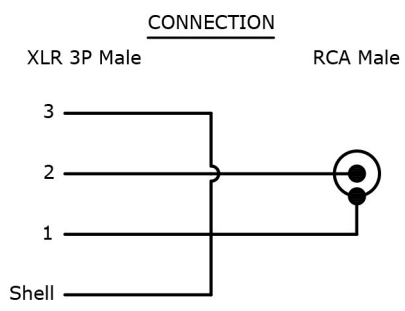
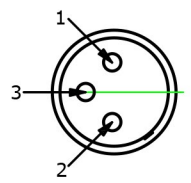


NOTE: ALL MATERIAL COMPLIANT ROHS STANDARD.

REVISION INFORMATION			
Rev.	Rev. Date	Modified By	Brief Description



A Side View



LINK NO.	PART NO.	LENGTH(L)
203280		6Ft 1830±50
203282		12Ft 3660±80
203285		25Ft 7620±80

**ELECTRICAL TESTING**  
**1. CONDUCTOR RESISTANCE: ≤5Ω 300V DC**

## MY CABLE MART

DRAWN BY	DATE: 2013/06/01	DESCRIPTION: XLR 3P Male to RCA Male Cable
CHECKED BY	SHEET 1 of 1	ITEM NO. <b>203280</b>
APPROVED BY	SCALE 1:1	REV. 00    UNIT: mm

⑥	Cable	Cable (15/0.10)+ 28/0.10 OD.: 6 Black PVC Jacket	1	PC
⑤	Shell	PVC Black	1	PC
④	Shell	Metal-Nickel Plated	1	PC
③	RCA Male	RCA Male-Nickel Plated	1	PC
②	Shell	Metal-Nickel Plated	1	PC
①	XLR 3P Male	XLR 3P Male	1	PC
NO.	PART NAME	SPECIFICATION DESCRIPTION	Q'TY	UNIT