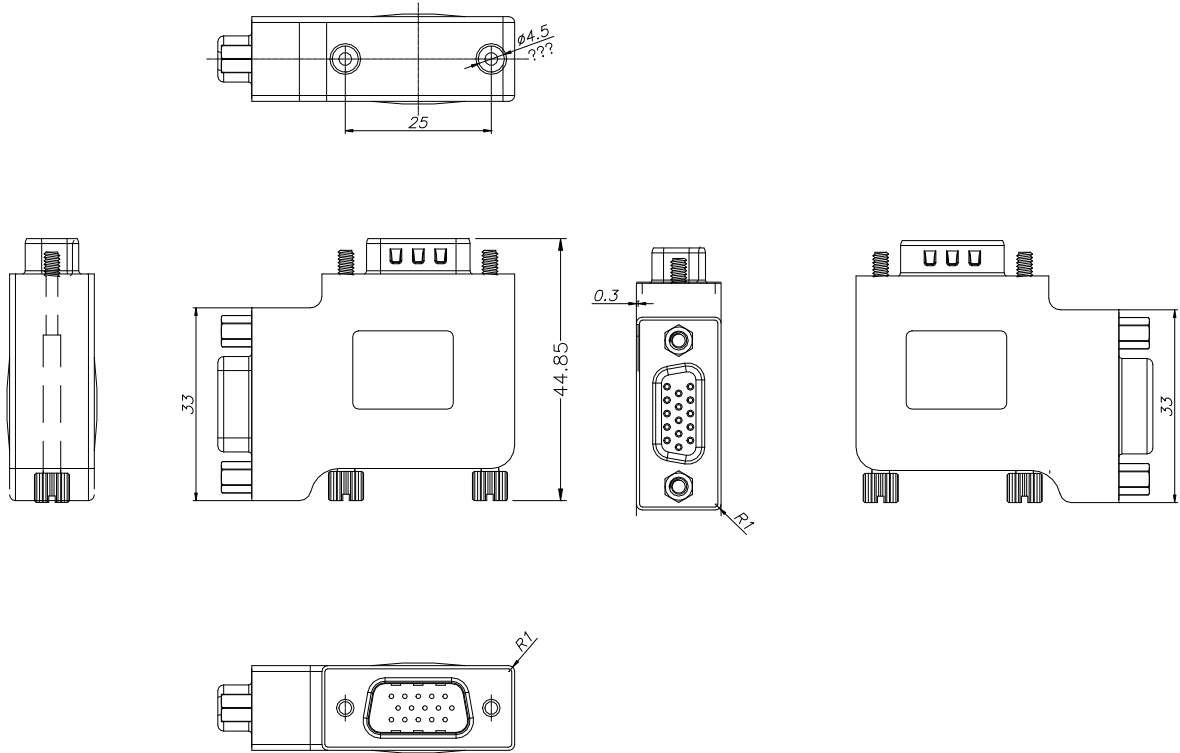


ROHS Compliant

REV.	NOTES	DATE
A	RELEASED	2006/6/7



WIRE LIST:

P1		P2
1	_____	1
2	_____	2
3	_____	3
4	_____	4
5	_____	5
6	_____	6
7	_____	7
8	_____	8
9	_____	9
10	_____	10
11	_____	11
12	_____	12
13	_____	13
14	_____	14
15	_____	15
SHELL	_____	SHELL

⑦	PVC	MOLDED 45P PVC BLACK	0.020KG
⑥	SCREW	SCREW #4-40UNC,Ø2.8*43.0mm NICKLE PLATED	2PCS
⑤	CONN.	HDB15 FEMALE CONNECTOR SOLDER TYPE CONTACT GOLD FLASH. TIN PLATED SHELL, INSULATOR (RED, GREEN, BLUE SEPARATE ONE).	1PCS
④	CONN.	HDB15 MALE CONNECTOR SOLDER TYPE CONTACT GOLD FLASH INSULATOR: BLUE FRONT BACK TIN PLATED WHITE SHELL	1PCS
③	CABLE	HOOK UP WIRE: UL1007 28AWG*1C TINNED COPPER WIRE, INSULATION: RED PVC L=30±1mm.	5PCS
②	CABLE	HOOK UP WIRE: UL1007 28AWG*1C TINNED COPPER WIRE, INSULATION: BLACK PVC L=35±1mm	10PCS
①	PE BAG	70*120*0.06mm	1PCS
ITEM	NAME	DESCRIPTION	Q'TY

ELECTRONIC TEST CONDITION:
 100% OPEN SHORT & MISWIRE TEST.
 CONDUCTIVE RESISTANCE: 3Ω / MAX
 INSULATION RESISTANCE: 10MΩ / MIN. AT DC 300V

单位(UNITS)	mm	MY CABLE MART LLC			
数量(QTY)	N/A				
材料(MTL)	SEE NOTE	图名(NAME) VGA15MALE TO VGA15FEMALE 平面270度			
处理(FINISH)	SEE NOTE				
绘图(DRAW)		料号(PART NUMBER)		FE-ADT-339	
设计(DE'N)		图号(DRAW NUMBER)		RASC120601	
审校(CH'K)		图档(FILE NAME .DWG) E: GCT/A/SC/09			
核准(APP'D)		比例(SCALE)	1/1	图纸(SIZE)	A4
		页次(SHEET)	1	版次(REV.)	C