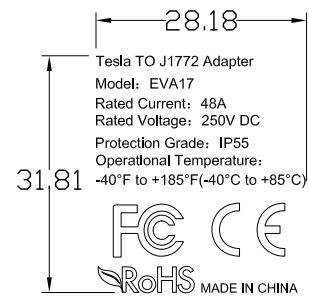
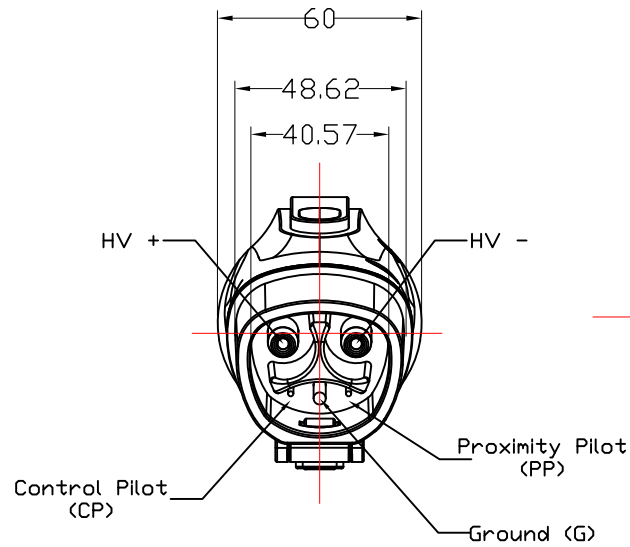
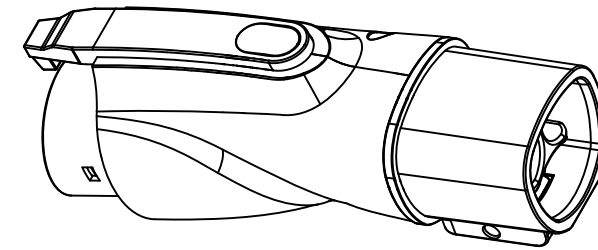
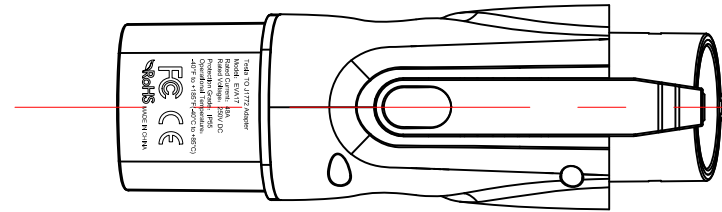


RoHS Compliant

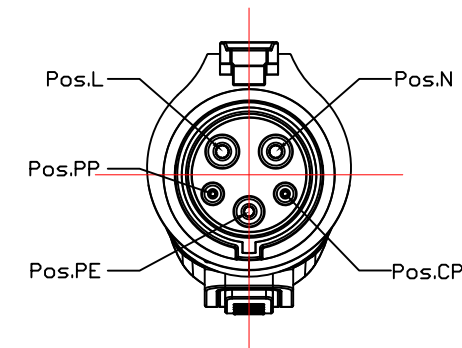
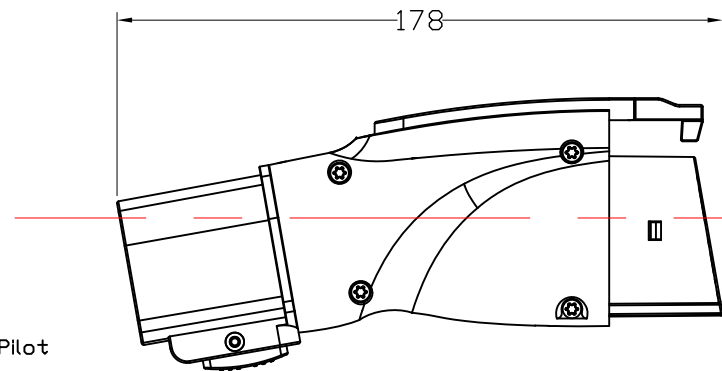
RevNo	Revision note	Date	Signature	Checked
1.0	Product to release	23/08/04	Darrick	



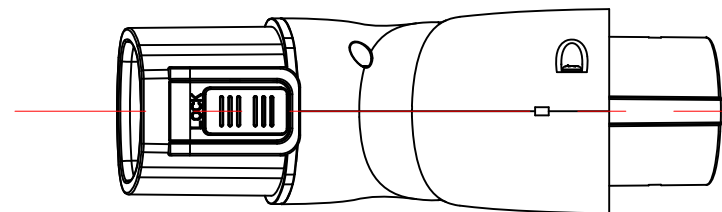
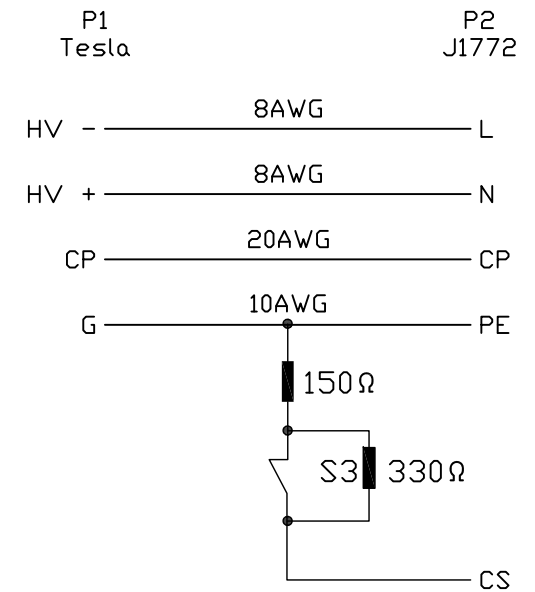
Laser Engraving: 28.18x31.81mm



P1
Tesla



PIN OUT



NO.	PART NAME	SPEC DESCRIPTION	PART P/N	REMARK
6	Shell	PC+ABS,black	xxx	
5	Button	Top shell button,PA66+25%GF,black UL 94-V0	xxx	
4	Screw	∅3*15mm	xxx	
3	Wire	UL 1015 20AWG black/blue/red (40P) 105°C PVC VW-1,L=95mm	xxx	
2	Connector	Type(J1772) male connector,PA66+25%GF,black UL 94-V0	xxx	
1	Connector	Tesla female connector,PA66+25%GF,black UL 94-V0	xxx	

Mould number:	Customer: -	Customer P/N: -	Article No./ HY-GC-001	
	Designed by: Darrick	Checked by:	Approved by - date:	File name: D-xxx
			Date: 23/08/04	Scale: None
			Unit: mm	
Packing file:	My Cable Mart			Name: Tesla(NACS) to J1772 Charger Adapter
			Number: HA-A0003	Edition: 1.0
				Sheet: 1/2 A3