

RoHS Compliant

REV.	Revision note	Date	Signature	Checked
1.0	Release to product	13/06/19	Pillar	
2.0	Change model and wire	20/10/24	Darrick	

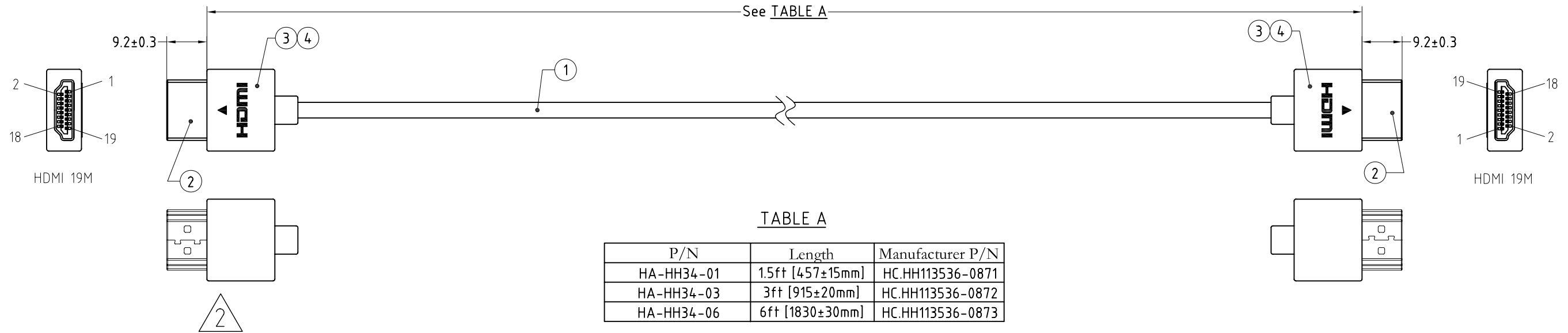
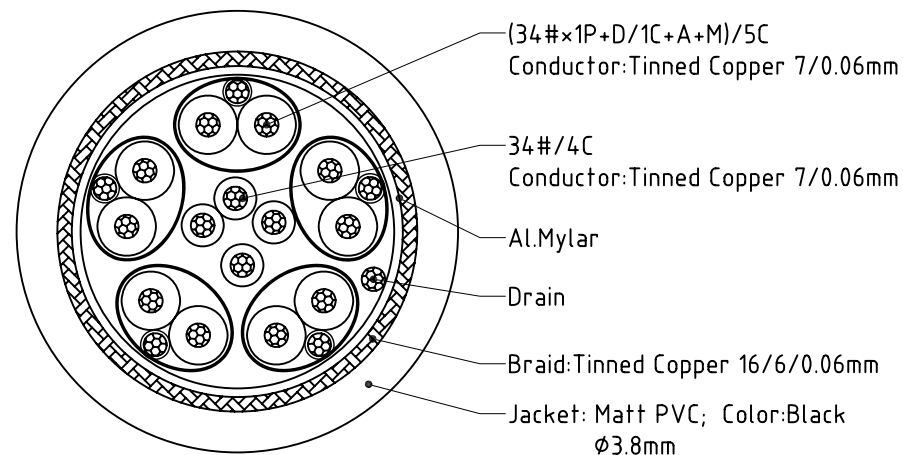


TABLE A

P/N	Length	Manufacturer P/N
HA-HH34-01	1.5ft [457±15mm]	HC.HH113536-0871
HA-HH34-03	3ft [915±20mm]	HC.HH113536-0872
HA-HH34-06	6ft [1830±30mm]	HC.HH113536-0873

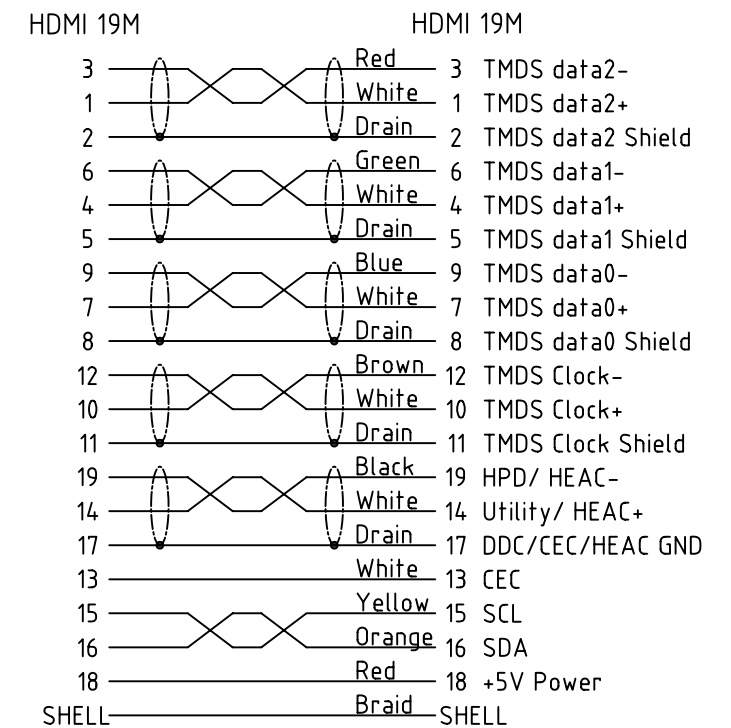
Wire Details



Electrical character:

- 1)100% Open/short/Intermittent testing
- 2)Withstanding voltage:DC/AC 300V AT 10ms.
- 3)Insulation resistance:10M Ohm(min)
- 4)Residual operating current:
 - a.<1.M=0.5mA; b.1.0~2.0M=1.0mA;
 - c.2.0~3.0M=2.0mA; d.3.0~5.0M=3.0mA;
 - e.5.0~10M=5.0mA; f.10~15M=7.0mA;
- 5)Conductive resistance:5 Ohm(Max)
- 6)100% test1080P、3D、4K@60Hz

PIN ASSIGNMENT(1.4v)



NO.	PART NAME	SPEC DESCRIPTION	PART P/N	REMARK
4	Overmold	PVC,45Pa,Black	-	N/A
3	Innermold	PE,Low density	-	N/A
2	HDMI_Conn	HDMI A/M,PIN G/F,Black Insulation,Steel-Shell(G/F Plated),Solder type	-	2PCS
1	Cable	UL20276[34#(7/0.06TC)/1P+D+A+M]/5C+34#(7/0.06TC)/4C+A+D+B(16/6/0.06TC) OD:3.8mm Jacket: Black PVC	-	See Table A

Mould number:	Customer: -	Customer P/N:	See table A	Article No./ HL-GC-001	
	Designed by: Darrick	Checked by:	Approved by	File number: D-0871-873	Date: 20/10/24
	My Cable Mart			Name: HDMI A-A W/Ethernet Cable	
Packing file:				P/N: HA-HH34-01 HA-HH34-03 HA-HH34-06	Edition: 2.0