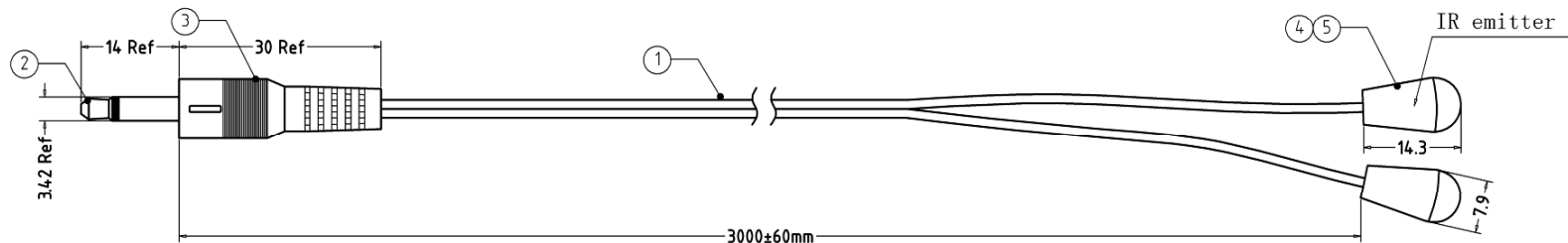
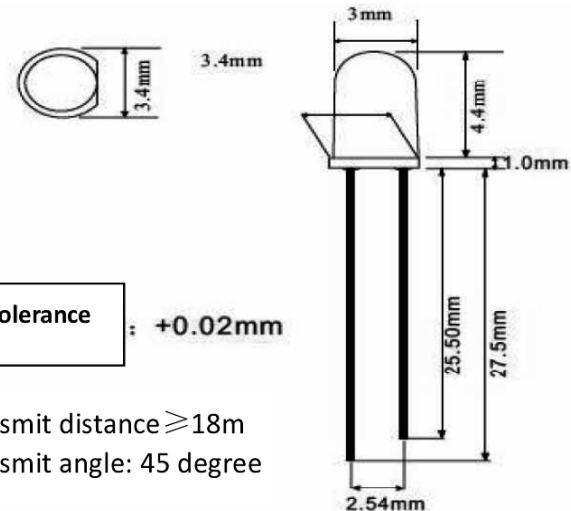


RevNo	Revision note	Date	Signature	Checked
1.0	Release to product	10/03/04	Hange	



Electro -Optical Characteristics

Peak wavelength λ_p (nm)	Forward Voltage V_F (V)	Reverse Current I_R (uA)	Peak Radiation intensity I_R (uw/c m ²)	View angle Value 1/2 degree
$I_F=50mA$	$I_F=50mA$	$I_R=5V$	$V_E=3V$	$I_F=50mA$
940	≤ 1.5	≤ 10	160-180	30(TYP)



Emitter

5	Shell	Semi transparent PC	2 SET
4	LED	φ3mm KTR 940	2 PCS
3	Overmold	PVC 45Pa Black UL94V-0	N/A
2	Stereo	3.5 stereo M Nickel, Insulator: POM Black	1 PCS
1	Cable	2468 Double wire 7X0.10BC OD:2.8X1.4mm	3M
NO.	PART NAME	SPEC DESCRIPTION	REMARK

TOLERANCE UNSPECIFIED x.xxx ±0.05 x.xx ±0.1 x.x ±0.2 x ±0.35 Angle ±1°		Article No./ DWG.HL-EN-102		Scale: Unit: 1:1 mm	
Designed by: Hange		Checked by:		Approved by - date:	
My Cable Mart, LLC This drawing contains information that is proprietary to Hallink Electronics Limited incorporated and should not be used without written permission			Name: IR emitter		Sheet: 1/1 A4
			Part number: ERC-003		Edition: 1.0