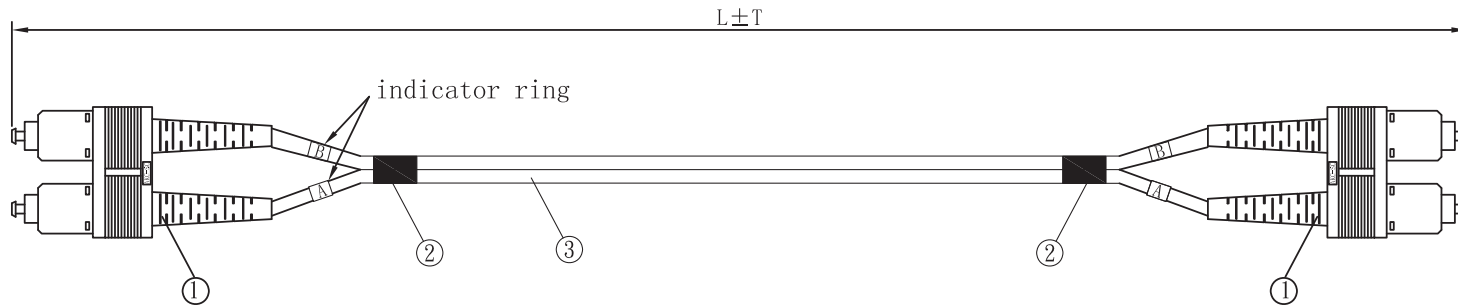
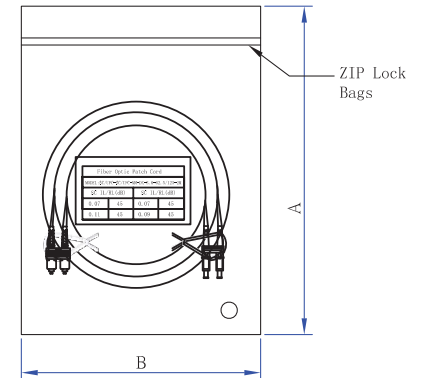
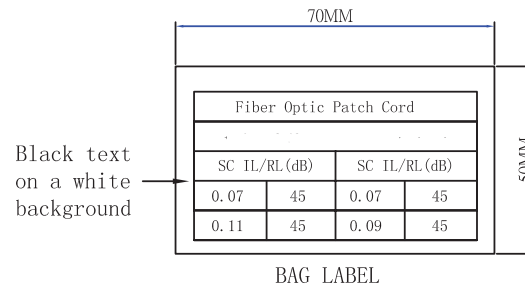


1	2	3	4	5	6	7	8		
Customer		Customer P/N:			REVISIONS				
					Rev.	ECN No.	DESCRIPTION	DATE	APPROVED

RoHS
compliant



P/N	L (M)	T (MM)	package quantity (PCS)	size of the pe bag A*B	carton size and material
FO3M-SCSC-1M	1	30	/	/	46*30*25 (K=K)
FO3M-SCSC-2M	2	50	/	/	46*30*25 (K=K)
FO3M-SCSC-3M	3	60	/	/	46*30*25 (K=K)
FO3M-SCSC-4M	4	60	/	/	46*30*25 (K=K)
FO3M-SCSC-5M	5	60	/	/	46*30*25 (K=K)
FO3M-SCSC-6M	6	80	/	/	46*30*25 (K=K)
FO3M-SCSC-7M	7	80	/	/	46*30*25 (K=K)
FO3M-SCSC-8M	8	100	/	/	46*30*25 (K=K)
FO3M-SCSC-9M	9	100	/	/	46*30*25 (K=K)
FO3M-SCSC-10M	10	100	/	/	46*30*25 (K=K)
FO3M-SCSC-15M	15	150	/	/	46*30*25 (K=K)
FO3M-SCSC-20M	20	200	/	/	46*30*25 (K=K)
FO3M-SCSC-25M	25	250	/	/	46*30*25 (K=K)



curing oven proportion: 10: 1

parameter: IL ≤ 0.3dB; PC/UPC RL ≥ 50dB, APC RL ≥ 60dB

4		
3	3.0mm Multimode Duplex OM3 50/125 Aqua pvc	1PCS
2	BLACK heat shrink TUBE, 4.0MM	2PCS
1	connector types: twin-core SC/PC-SC/PC connector	2PCS
NO.	DESCRIPTION	QTY

MRP				FILE.NO.					
				DAW.NO.		FO3M-SCSC-XX			
DESCRIPTION: FO3M-SCSC-XX				Rev	A/0		Unit	Scale	Date
Drawn by		HJ		Page/NO.	1/2		mm	N.A	2015.5.9
Checked by			Approved by						